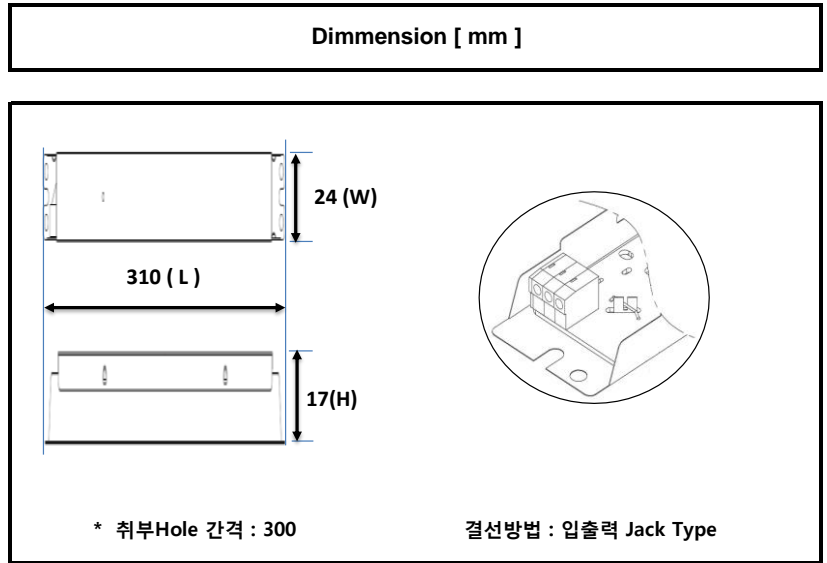


UL Series



DESCRIPTION		ULPF	ULSF	ULPD	UL2D
Circuit Type		Primary Side Regulation Type	Secondary Side Regulation Type	PWM Dimming Type	2 Switch Dimming Type
Feature		Flicker Free	DC Sensor Flicker Free	Standard	Standard
Input	Voltage (입력전압)	198 ~ 242 VAC			
	Frequency (주파수)	60Hz ± 3Hz			
	Power Factor (역률)	$\lambda > 0.9$			
	Efficiency (효율)	85%			
Output	DC Voltage (출력전압)	24Vdc ~ 48Vdc			
	Rated Current (출력전류)	Min 530mA ~ Max 2300mA	Min 530mA ~ Max 2300mA	Min 530mA ~ Max 2300mA	Min A ~ Max A
	Rated Power (출력전력)	Min 25.5W ~ Max 55.5W	Min 25.5W ~ Max 55.5W	Min 25.5W ~ Max 55.5W	Min W ~ Max W
	Output Method (출력방식)	Constant Current Type			
Protection	Over Load (과부하)	Protection Type : Shut Down operation Voltage, Restart			
	Over Voltage (과전압)	Protection Type : Shut Down operation Voltage, Restart			
Environment	Operating Temperature (사용온도)	-20°C ~ 50°C			
	Storage Temp & Humidity (보관조건)	-20°C ~ 70°C / 10 ~ 90%RH			
Safety & EMI	Safety Standards	KS C 7655, 10-IS 0256			
	EMI	Compliance to KSC IEC 61000, Class B			

* 상세사항은 당사 영업부에 문의 바랍니다.